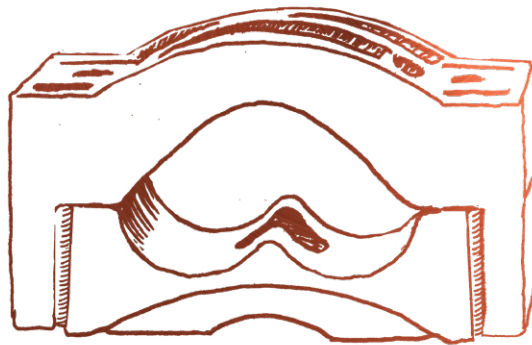
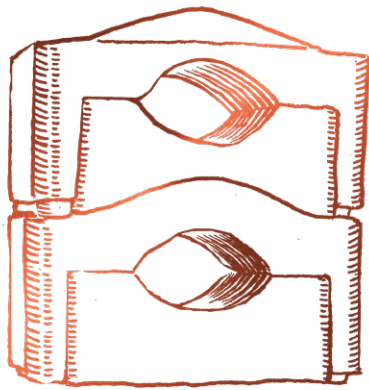


For short-circuit-proof cable installations

HELUKABEL® CABLE CLAMPS



HELUKABEL® Cable Clamps

For the short-circuit-proof installation of single and multi-core cables

CABLE CLAMPS

Technical Data

- Fibre-glass-reinforced polyamide
- Temperature: -40°C to 125°C
- Temperature, short term: 225°C
- Self extinguishing V-0 (UL94)
- Halogen free
- Short circuit protection N: See table
- Tightening torque Nm: See table
- Resistant to oil and grease, aggressive chemicals, ozone, salt, acids, nuclear radiation, frost
- Resistant to very high short-circuit currents 200 kA

Tests

- Certified acc. to international safety standards IEC 61914 + UL

Applications

These cable clamps are specifically designed for the short-circuit-protected installation of single or multi-core power cables and medium and high-voltage cables.

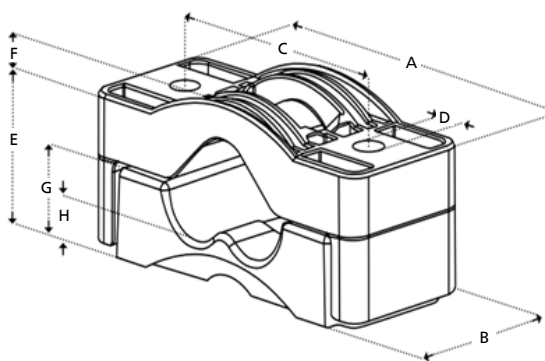
Optional: All cable clamps are also available pre-assembled with a liner (+E)

Cable Clamp T (Triple)

Available in 7 models. Optional flexible liner. Suited for cables and wires with diameters from 27 mm to 150 mm. Stackable clamp.



Cable Clamp T 38-51
Part no. 11025465



Part no.	Cable Clamp		Quantity	Stackable	Cable Ø	Dimensions in mm									
	Type	Dimensions				A	B	C	D	E	F	G	H	N	Nm
11025464	T	3x 27-38	triple	yes	3x 27-38	180	75	125	15	63-90	12	35	16.5	25000	5
11009368	T	3x 33-46	triple	yes	3x 33-46	154	70	115	13	76-105	15	40	19	17000	5
11025465	T	3x 38-51	triple	yes	3x 38-51	195	80	145	15	84-115	16	45	20	25000	5
11025466	T	3x 51-69	triple	yes	3x 51-69	220	85	170	15	109-150	21	58	26	25000	5
on req.	T	3x 69-90	triple	yes	3x 69-90	252	90	215	15	134-185	29	72	30	27500	8
on req.	T	3x 90-118	triple	yes	3x 90-118	321	100	270	15	180-250	27	89	33	27500	8
on req.	T	3x 118-150	triple	yes	3x 118-150	400	110	340	15	211-310	37	110	75	27500	8
11025467	T	3x 24-35 *E	triple	yes	3x 24-35	180	75	125	15	63-90	12	35	16.5	25000	5
11025468	T	3x 30-43 *E	triple	yes	3x 30-43	154	70	115	13	76-105	15	40	19	17000	5
11025469	T	3x 35-48 *E	triple	yes	3x 35-48	195	80	145	15	84-115	16	45	20	25000	5
on req.	T	3x 48-66 *E	triple	yes	3x 48-66	220	85	170	15	109-150	21	58	26	25000	5
on req.	T	3x 66-87 *E	triple	yes	3x 66-87	252	90	215	15	134-185	29	72	30	27500	8
on req.	T	3x 87-115 *E	triple	yes	3x 87-115	321	100	270	15	180-250	27	89	33	27500	8
on req.	T	3x 115-147 *E	triple	yes	3x 115-147	400	110	340	15	211-310	37	110	75	27500	8

*E = with pre-installed, flexible liner.

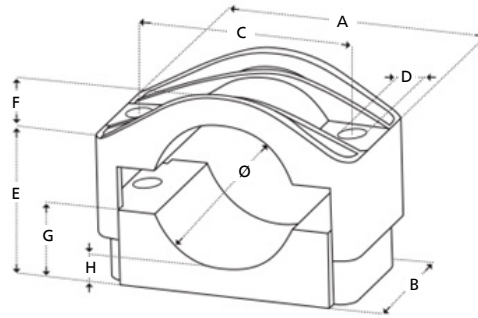
on req. = available on request.

Cable Clamp S (Single)

Available in 10 models. Optional flexible liner. Suited for cables and wires with diameters from 15 mm to 170 mm.



Cable Clamp S 50-75
Part No. 11025472



Part no.	Cable Clamp		Quantity	Stackable	Cable Ø	Dimensions in mm										Nm
	Type	Dimensions				A	B	C	D	E	F	G	H	N		
11025470	S	15-26	single	no	15-26	77	45	50	10	26-42	4	17	8	8000	5	
11025471	S	26-38	single	no	26-38	92	60	60	12	33-49	7	18	7	12000	5	
11017274	S	36-52	single	no	36-52	105	60	75	12	39-55	15	23	8	12000	5	
11025472	S	50-75	single	no	50-75	126	60	95	12	46-71	22	30	9	12000	5	
11025473	S	75-100	single	no	75-100	200	80	150	15	70-95	32	45	10	20000	5	
on req.	S	100-135	single	no	100-135	225	85	175	15	85-120	43	58	10	20000	8	
on req.	S	135-170	single	no	135-170	260	90	210	15	133-169	62	90	28	20000	8	
11025474	S	12-23 ^{+E}	single	no	(12-23)	77	45	50	10	26-42	4	17	8	8000	5	
11025475	S	23-35 ^{+E}	single	no	(23-35)	92	60	60	12	33-49	7	18	7	12000	5	
11025476	S	33-49 ^{+E}	single	no	(33-49)	105	60	75	12	39-55	15	23	8	12000	5	
11025477	S	47-72 ^{+E}	single	no	(47-72)	126	60	95	12	46-71	22	30	9	12000	5	
11025478	S	72-97 ^{+E}	single	no	(72-97)	200	80	150	15	70-95	32	45	10	20000	5	
on req.	S	100-135 ^{+E}	single	no	(97-132)	225	85	175	15	85-120	43	58	10	20000	8	
on req.	S	132-167 ^{+E}	single	no	(132-167)	260	90	210	15	133-169	62	90	28	20000	8	

^{+E} = with pre-installed, flexible liner.

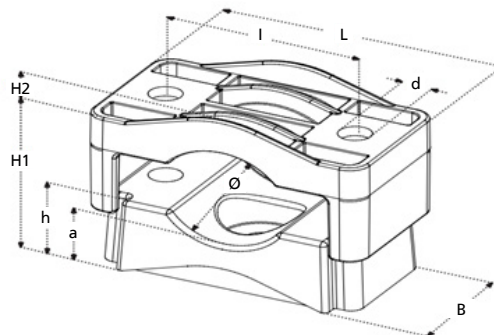
on req. = available on request.

Cable Clamp ST (Single, stackable)

Available in 2 models. Suited for cables and wires with diameters from 26 mm to 50 mm. Stackable clamp.



Cable Clamp ST 26-50
Part no. 11025479



Part no.	Cable Clamp		Quantity	Stackable	Cable Ø	Dimensions in mm									Nm
	Type	Dimensions				L	B	I	d	H1	H2	h	a	N	
11025479	ST	26-50	single	yes	51	111	60	76	12.5	55-80	11.5	36	24	15000	5
11025480	ST	50-80	single	yes	81	135	60	100	12.5	78-108	13.5	47	23	15000	5

Cable Clamp IN

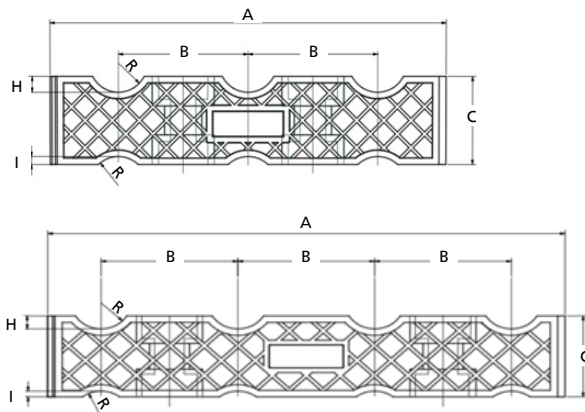
Available in 5 models. Optional flexible liner. For cables and wires with diameters from 12 mm to 32 mm and from 32 mm to 48 mm. The individual blocks can be connected in a row or stacked.



Cable Clamp IN 3x 32-48
Part no: 11022870



Cable Clamp IN 4x 32-48
Item no: 11022872



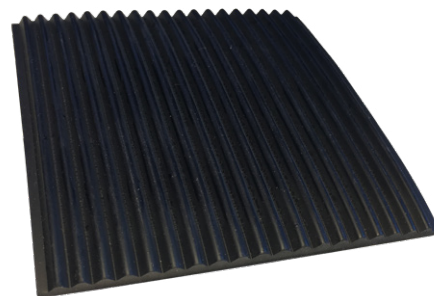
Part no.	Cable Clamp		Dimensions in mm												
	Type	Dimensions	R	A	B	B1	C	D	E	F	G	H	I	N	Nm
11022869	IN	3x 12-32	16	226	74	-	50	50	74	28	14	9	4.5	30000	5
11022871	IN	4x 12-32	16	280	74	-	50	50	148	28	14	8	4.5	30000	5
11022870	IN	3x 32-48	24	260	85	-	65	50	85	28	14	18.5	9.5	30000	5
11022872	IN	4x 32-48	24	345	85	-	65	50	170	28	14	18	10	30000	5
11022873	IN	6x 32-48	24	400	58	80	65	50	254	29	15	18	9	30000	5

ACCESSORIES

Liners

Technical Data

- Dimensions: 10 cm x 10 cm x 5 mm
- Material: EPDM
- Colour: Black
- Density: 1.15 – 1.25 g/cm³
- Elongation at break: Acc. to DIN 53504
- Shore hardness: 65 ±5
- Tensile strength: Acc. to DIN 53504
- Dimensional tolerances: Acc. to DIN ISO 3302-1 E2
- Resistant to: Ozone, weathering, acids, alkalis



Tests

- Fire safety: Acc. to DIN 4102-11, B3, B2

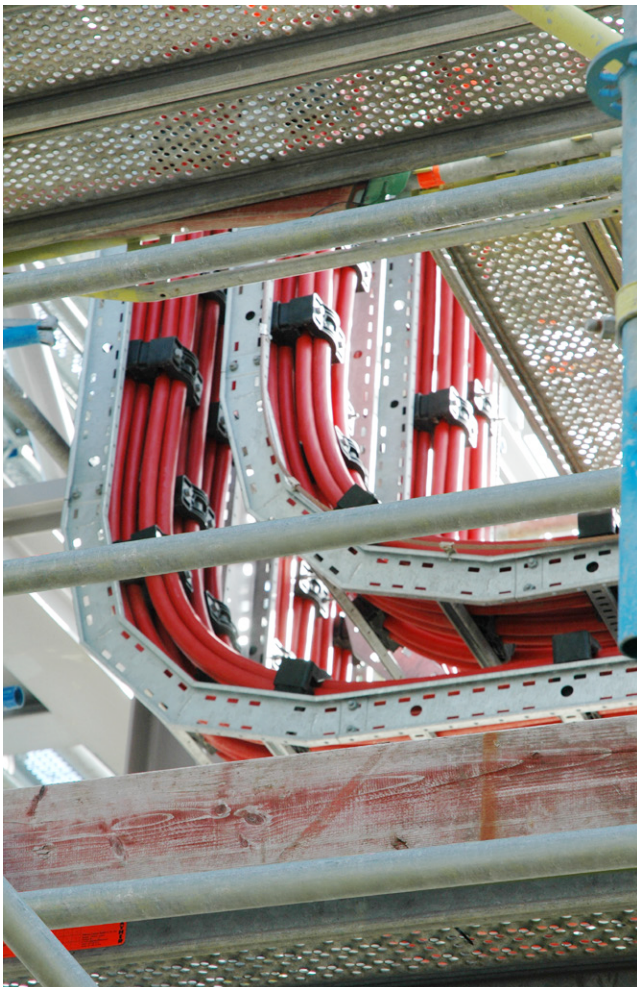
Contact



Our product expert is happy to answer your questions and develop individual solutions for you.

Thomas Heissler

Product Specialist Accessories
Product Area - Core Products
Tel.: +49 7150-9209-4466
thomas.heissler@helukabel.de



(Channeling) 
POWER